

Part number

# CHV 06 LX16



## Brief description:

Hoods with single lever, size "44.27", top entry, Pg16, metal version, IP66 (EN 60529) and IP69K (DIN 40050 - 9) degree of protection.

Product description	
Version	metal version
Series	Hoods with 1 lever, without gasket
Product type	with 1 lever, without gasket
Variant	top entry
Family	CLASS enclosures
Size	size "44.27"
Technical data	
Material	metal
IP degree of protection	IP66 (and IP69K DIN 40050 - 9)
Cable entry	Pg16
Further technical details	
Weight	134,00 g

Approvals / Standards	
Quality mark	 (type:4/4X/12),  , EAC
Conformity	CQC, CE
General ordering information	
EAN13 code	8015747024259
Tariff number	85369095
Packaging Information	
Sub-packaging weight	0,67 kg
Sub-packaging description	Plastic packaging
Sub-packaging quantity	5 Pcs
Sub-packaging EAN barcode	8015747024266

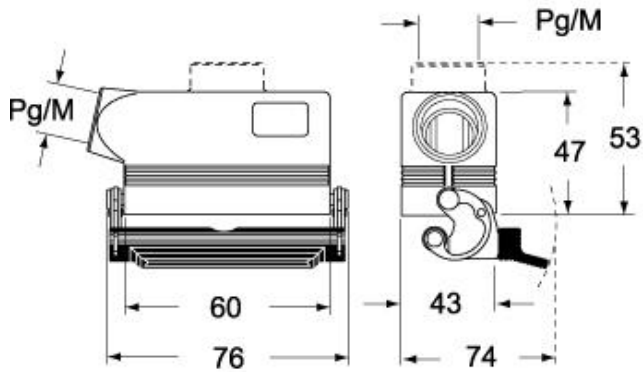
Part number

# CHV 06 LX16

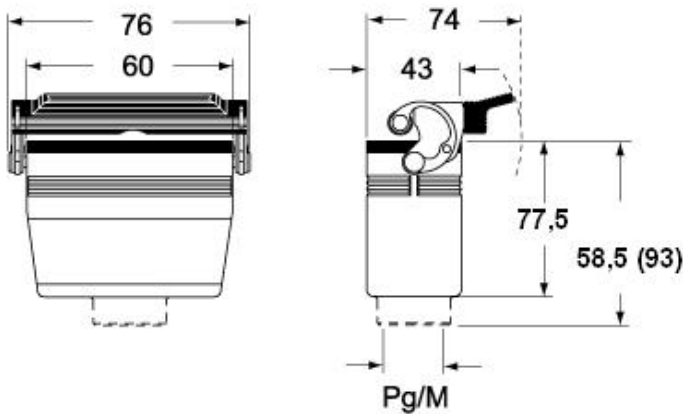


Catalogue drawings

## CHO LX CHV LX - MHO LX MHV LX



## CHV LG (CAV LG), MHV LG (MAV LG) [MFV LG]



## CHO L (CAO L) - MHO (MAO/MFO/MFV L) MHV L [MAV L]

